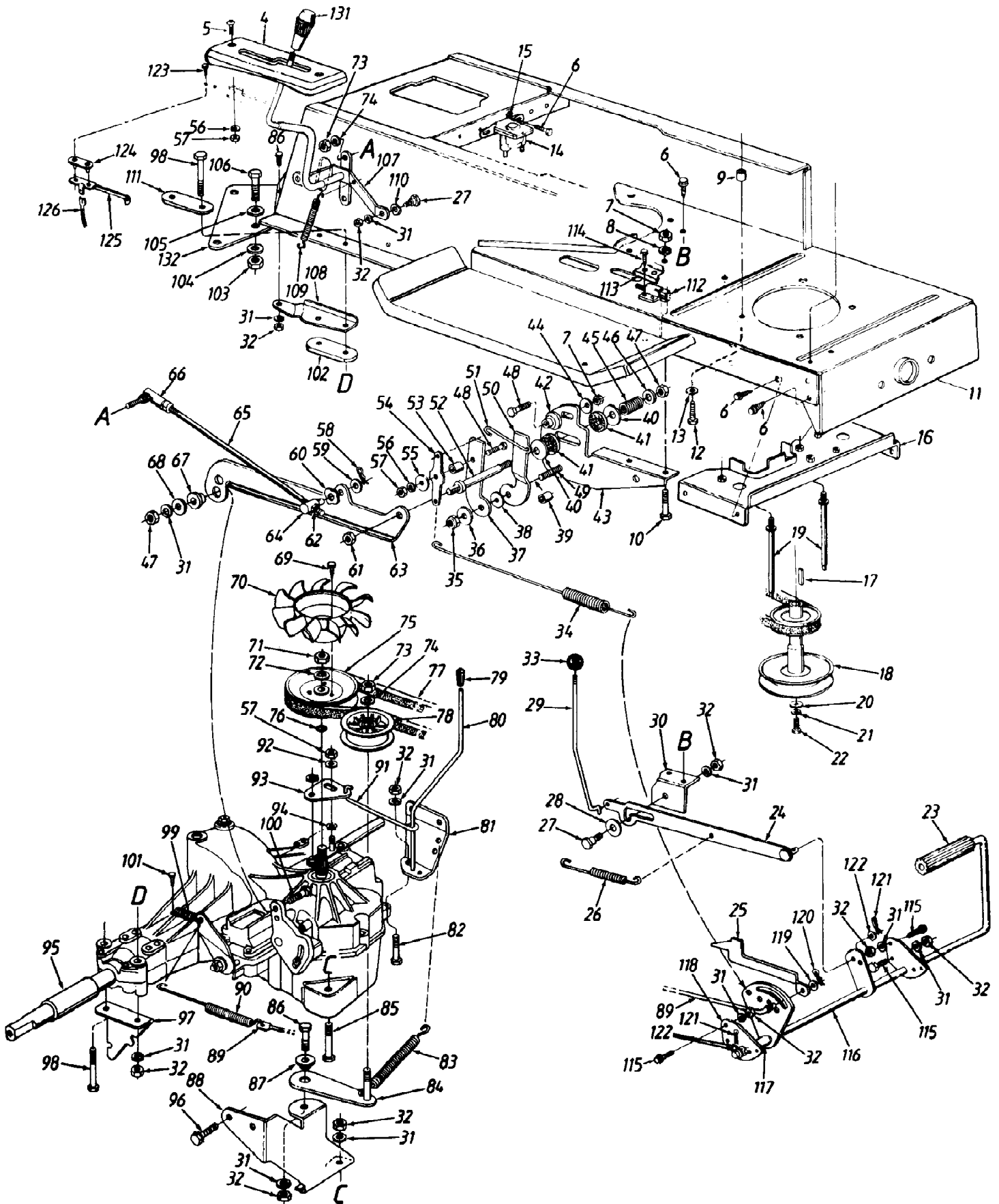


133K606F190 LT-125 (1993)
Brake And Frame Assembly



133K606F190 LT-125 (1993)
Brake And Frame Assembly

Page 2 of 23

Ref #	Part Number	Qty	S/P/F	Description
4	731-1053B	1	S	Index Bracket Code: N Notates a new part (not previously existing)
5	710-0924	1	/P	Pan Hd. Mach. Scr. 1/4-20 x .75" Lg.
6	710-0599	1	/P	Hex Wash. Hd. TT-Tap Scr. 1/4-20 x .5" Lg.
7	712-0138	1	S	Hex Nut 1/4-28 Thd.
8	736-0329	1	S/F	L-Wash. 1/4" I.D.
9	750-0777	1		Shld. Spacer .38" I.D.
10	710-0195	1	S	Hex . Bolt 1/4-28 x .62" Lg.
11	17619B	1	S	Lower Frame Ass'y. Code: N Notates a new part (not previously existing)
12	710-1007	1	/P	Hex Tap Scr. 3/8-16 x 1.5" Lg.
13	736-0247	1	/P	FI-Wash. .406" I.D. x 1.25"
14	725-1426	1	S	Solenoid
15	736-0222	1	S	Ext. L-Wash. 1/4" I.D.
16	17893	1	S	Belt Guard Brkt. Ass'y.
17	714-0114	1	S	Sq. Key 1/4" x 2" Lg.
18	756-0562	1	S	Engine Pulley
19	711-0986	1	S	Belt Guard Stud 3.6" Lg. Code: N Notates a new part (not previously existing)
20	736-0322	1	/P	FI-Wash. 7/16" I.D. x 1.25" O.D.
21	736-0171	1	S/F	L-Wash. 7/16" I.D.
22	710-0757	1	/P	Hex Bolt 7/16-20 x 1.5" Lg.
23	735-0196	1	S	Foot Pad
24	683-0049	1	S	Brake Lockout Brkt. Ass'y. Code: N Notates a new part (not previously existing)
25	783-0093	1		Foot Pedal Brkt. Code: N Notates a new part (not previously existing)
26	732-0728	1		Foot Pedal Return Spring Code: N Notates a new part (not previously existing)
27	738-0296	1	S	Shld. Bolt .437" Dia. x .268"
28	736-0406	1	S	FI-Wash. 7/16" I.D. x 1-3/8" O.D.
29	747-0601	1		Lock-up Rod
30	17755A	1		Bracket
31	736-0119	1	S/F	L-Wash. 5/16" I.D.
32	712-0267	1	S/F	Hex Nut 5/16-18 Thd.
33	720-0166	1	/P	Ball Knob
34	732-0727	1	S	Neutral Return Spring Code: N Notates a new part (not previously existing)
35	712-0273	1	S	Hex Nut 5/16-24 Thd.
36	736-3078	1	/P	FI-Wash. .344" I.D. x 1" O.D.
37	783-0092	1		Scissor-Flat Code: N Notates a new part (not previously existing)
38	736-0362	1	/P	FI-Wash. .33" I.D. x 1.25" O.D.
39	750-0808	1	/P	Spacer
40	736-0219	1	S	Bell-Wash. .4" I.D. x 1.13" O.D.
41	761-0196	1	S	Friction Washer
42	750-0918	1		Centering Gauge Spacer Code: N Notates a new part (not previously existing)

133K606F190 LT-125 (1993)
Brake And Frame Assembly

Page 3 of 23

Ref #	Part Number	Qty	S/P/F	Description
43	783-0095	1		Neutral Return Mtg. Brkt. Code: N Notates a new part (not previously existing)
44	736-0270	1	/P	Bell-Wash. .265" I.D. x .75" O.D.
45	732-0718	1		Comp. Spring 1.19" Lg. Code: N Notates a new part (not previously existing)
46	736-3008	1	S	FI-Wash. .312" I.D. x .75" O.D.
47	712-0123	1	/P	Hex Nut 5/16-24 Thd.
48	710-0299	1		Hex Bolt 1/4-28 x 1" Lg. (Gr. 5)
49	710-1012	1	/P	Rib Neck Bolt 5/16-24 x .84" Lg.
50	783-0093	1		Scissor-Offset Code: N Notates a new part (not previously existing)
51	747-0887	1		Neutral Return Rod Code: N Notates a new part (not previously existing)
52	738-0879	1	S	Friction Disc Stud Code: N Notates a new part (not previously existing)
53	748-0368	1		Shld. Spacer
54	783-0096	1		Neutral Return Lever Code: N Notates a new part (not previously existing)
55	736-3092	1	/P	FI-Wash. .265" I.D. x 1" O.D.
56	736-0329	1	S/F	L-Wash. 1/4" I.D.
57	712-0287	1	S/F	Hex Nut 1/4-20 Thd.
58	714-0104	1	S	Hairpin Clip
59	736-0262	1	/P	Ft-Wash. .375" I.D. x .87" O.D.
60	736-0413	1	/P	Spring Wash. .39" I.D.
61	712-0116	1	S	Hex L-Nut 3/8-24 Thd.
62	712-0711	1	/P	Hex Jam Nut 3/8-24 Thd.
63	783-0090	1		Neutral Return Brkt. Code: N Notates a new part (not previously existing)
64	711-0832	1	S	Ferrule 3/8-24 Thd.
65	747-0365	1	S	Control Rod
66	723-0351	1	S	Ball Joint 3/8-24 Thd.
67	748-0234	1	/P	Shld. Spacer .5" Dia. x .27" Lg.
68	736-0159	1	S	FI-Wash. .349" I.D. x .879" O.D.
69	710-3007	1	/P	Hex Wash. Hd. Tap Scr. #12 x 3/8" Lg.
70	731-1449	1	S	Fan Code: N Notates a new part (not previously existing)
71	712-0333	1	S	Hex Nut 1/2-20 Thd.
72	736-0921	1	S/F	L-Wash. 1/2" I.D.
73	712-0241	1	/P	Hex Nut 3/8-24 Thd.
74	736-0169	1	S	L-Wash. 3/8" I.D.
75	756-0974	1	/P	Transmission Pulley Code: N Notates a new part (not previously existing)
76	732-0729	1	/P	Wire Ring Code: N Notates a new part (not previously existing)
77	754-0349	1	S	"V"-Belt
78	756-0981	1	S	FI-Idler Pulley 2.75" O.D. Code: N Notates a new part (not previously existing)

133K606F190 LT-125 (1993)
Brake And Frame Assembly

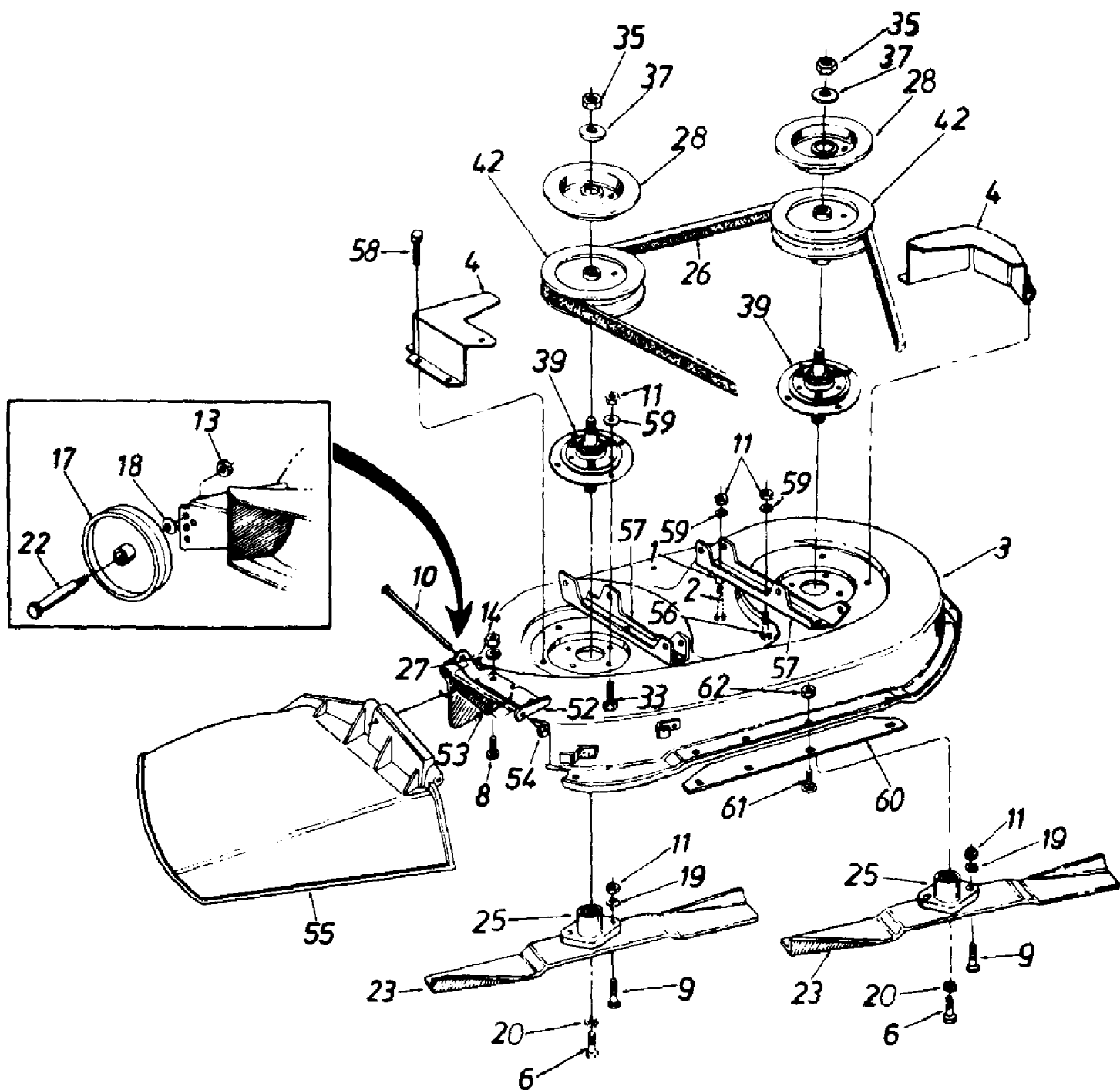
Page 4 of 23

Ref #	Part Number	Qty	S/P/F	Description
79	720-0238	1		Rod End Grip
80	747-0894	1		Bypass Control Lever Code: N Notates a new part (not previously existing)
81	783-0085	1	S	Transaxle Support Brkt. - L.H. Code: N Notates a new part (not previously existing)
82	710-0528	1	/P	Hex . Bolt 5/16-18 x 1.25" Lg.
83	732-0384	1	S	Ext. Spring 6.12
84	683-0048	1		Idler Brkt. Ass'y. Code: N Notates a new part (not previously existing)
85	710-0116	1	S/F	Hex Bolt 5/16-18 x 2.5" Lg.
86	710-0118	1	S/F	Hex Bolt 5/16-18 x .75" Lg.
87	748-0234	1	/P	Shld. Spacer .5" Dia. x .27" Lg.
88	783-0086	1	S	Transaxle Support Brkt. - R.H. Code: N Notates a new part (not previously existing)
89	747-0886	1		Brake Rod 24.94" Lg. Code: N Notates a new part (not previously existing)
90	732-0716	1	S	Ext. Spring Code: N Notates a new part (not previously existing)
91	747-0893	1		Bypass Actuator Rod Code: N Notates a new part (not previously existing)
92	736-0142	1	S	FI-Wash. .281" I.D. x .5" O.D.
93	783-0098	1		Bypass Adjustment Brkt. Code: N Notates a new part (not previously existing)
94	736-0222	1	S	External L-Wash. 1/4" I.D.
95	731-1086A	1	/P	Sleeve .758" I.D. x 1" O.D.
96	710-0604	1	S	Hex . Wash. TT-Tap Scr. 5/16-18 x .62" Lg.
97	17994	1	S	Retainer Brkt.- Transaxle Code: N Notates a new part (not previously existing)
98	710-1266	1	/P	Hex Bolt 5/16-18 x 3.5" Lg. (Gr. 5)
99	732-0250	1	S	Tension Spring
100	710-0888	1	/P	Hex Bolt 5/16-24 x 1" Lg. (Special)
101	710-0224	1	S	Hex Wash. Hd. AB-Tap Scr. #10 x .5" Lg.
102	748-0334	1	S	Transaxle Spacer
103	712-3019	1	S	Hex Nut 7/16-14 Thd. (Gr. 5)
104	736-3015	1	S	FI-Wash. .469" I.D. x .875" O.D.
105	736-0439	1		Bell-Wash. .46" I.D. x 1.13" O.D.
106	710-0505	1	/P	Hex Bolt 7/16-14 x 1" Lg.
107	647-0008	1	S	Speed Control Lever Ass'y. Code: N Notates a new part (not previously existing)
108	17668	1	S	Axle Support Brkt. - R.H.
	17669	1	S	Axle Support Brkt. - L.H. (Not shown)
109	732-0433	1		Ext. Spring 2.75" Lg.
110	736-0141	1	S	Spr-Wash. .445" I.D. x .75" O.D.
111	17840	1	S	Transaxle Mtg. Brkt.
112	725-3169A	1	S	Safety Switch (Clutch)
113	17962	1		Switch Plate
114	710-0351	1	/P	Truss Mach. B-Tap Scr. #10 x .5" Lg.
115	710-0650	1		Truss Mach. B-Tap Scr. 5/16-18 x .75" Lg.

133K606F190 LT-125 (1993)
Brake And Frame Assembly

Page 5 of 23

Ref #	Part Number	Qty	S/P/F	Description
116	17715B	1		Clutch/Brake Pedal Ass'y. Code: N Notates a new part (not previously existing)
117	750-0802	1		Spacer .63" I.D.
118	17860	1	S	Pedal Bracket
119	736-0264	1	S	FI-Wash. .344" I.D. x .62" O.D.
120	714-0111	1	S	Cotter Pin 3/32" Dia.
121	714-0470	1	S	Cotter Pin 1/8" Dia.
122	736-0256	1	S	FI-Wash. .64" I.D. x .94" O.D.
123	710-0227	1	/P	Hex Wash. Hd. AB-Tap Scr. #8 x .5" Lg.
124	726-0320	1	S	Insulator Nut Plate
125	725-1643	1		Reverse Safety Switch
126	725-1399	1		Extension Wire
131	720-0218	1	/P	Shift Knob
132	783-0014	1		Hitch Plate Extension

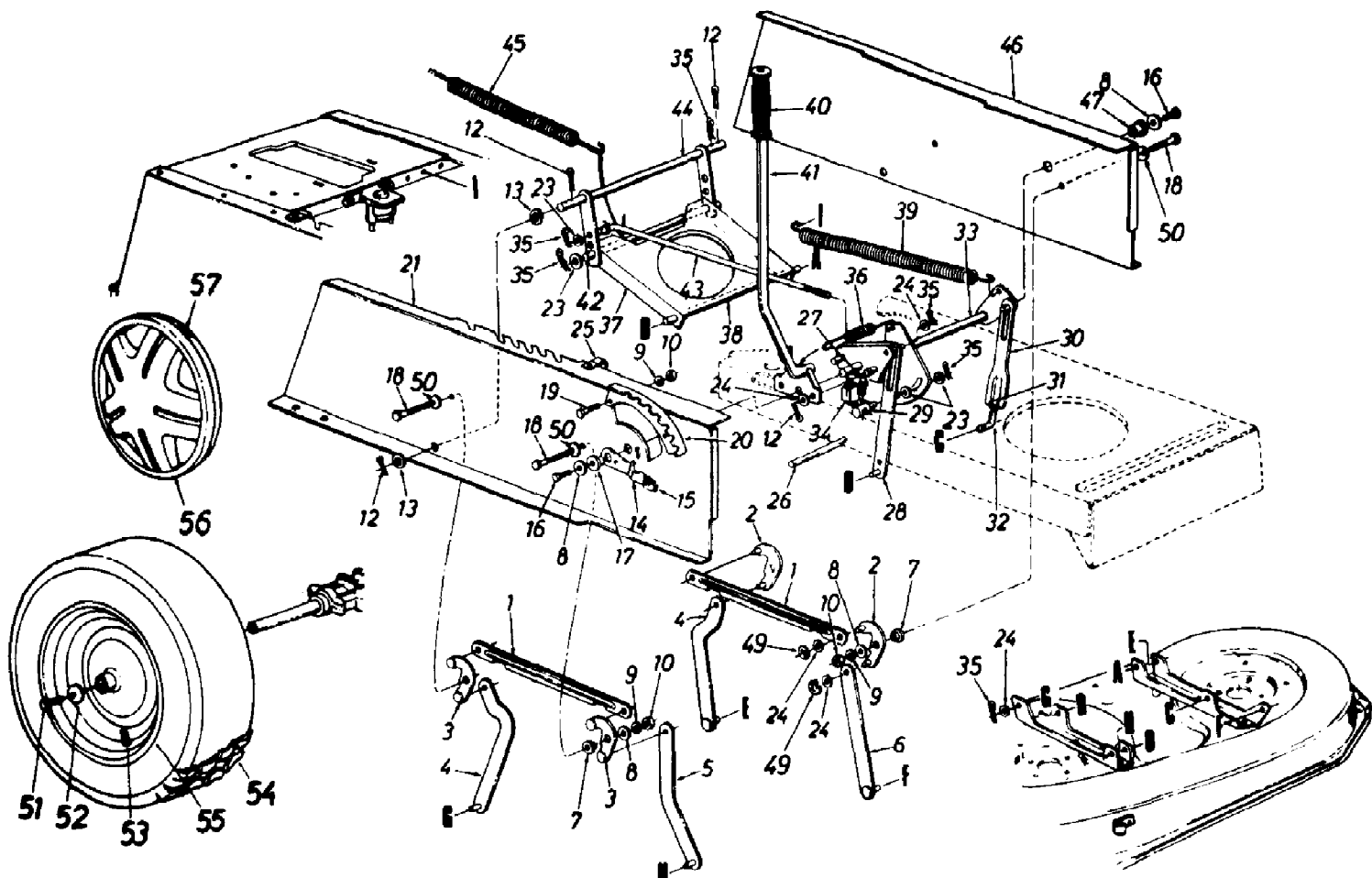


133K606F190 LT-125 (1993)

Page 7 of 23

Deck "F", Chute And Blade Spindle Assembly

Ref #	Part Number	Qty	S/P/F	Description
1	750-0776	1	S	Spacer .33" I.D. x .88"
2	710-0672	1	/P	Hex Bolt 5/16-24 x 1.25" Lg.
3	17503B	1	S	38" Deck Ass'y. w/Deck Wheels
	801-7503	1	S	38" Deck Ass'y. Comp. w/Deck Wheels (For Service Only)
4	17665	1	S	Belt Guard Deck
6	710-0152	1	S	Hex Bolt 3/8-24 x 1.0" Lg.
8	710-0258	1	S	Hex Bolt 1/4-20 x .62"
9	710-0888	1	/P	Hex Bolt Special 5/16-24 x 1.0"
10	711-0792	1	S	Hinge Pin
11	712-0123	1	/P/F	Hex Nut 5/16-24 Thd.
13	712-0181	1	S	Hex Top L-Nut 3/8-16 Thd.
14	712-0287	1	S/F	Hex Nut 1/4-20 Thd.
17	734-0973	1	/P	Deck Wheel - 5"
18	736-0105	1	/P	Bell-Wash. .40" I.D. x .88" O.D.
19	736-0119	1	S/F	L-Wash. 5/16" I.D.
20	736-0217	1	S	L-Wash. 3/8" I.D. - H.D.
22	738-0373	1	S	Shld. Bolt .498" Dia. x 1.53"
23	742-0473A	1	S	High-Lift Blade
25	748-0300	1		Blade Adapter
26	754-0329A	1	S	V-Belt
27	736-0270	1	/P	Bell-Wash. 1/4" I.D.
28	09322	1		Brake Disc
33	710-0157	1	/P	Hex Bolt 5/16-24 x .75" Lg.
35	712-0318	1	/P	Hex Jam Nut 5/8-18 Thd.
37	736-0158	1	S/F	L-Wash. 5/8" I.D.
39	717-0906	1	S	Blade Spindle Ass'y. Comp.
42	756-0486	1		5" Dia. Pulley
52	703-1693	1	S	Hinge Mtg. Brkt.
53	732-0602	1	S	Torsion Spring
54	726-0106	1	S	Push Nut
55	731-1032	1	S	Chute Ass'y. Comp. (Incl. Ref. 10, 52, 53, 54, 55)
56	710-0157	1	/P	Hex Bolt 5/16-24 x .75" Lg.
57	17493A	1	S	Deck Hanger Channel
58	710-0599	1	/P	Hex Wash. Hd. TT-Tap Scr. 1/4-20 x .5" Lg.
59	736-0242	1	/P	Bell-Wash. .345" I.D. x .88"
60	17863	1	S	Skirt Ext.
61	710-0167	1	/P	Carr. Bolt 1/4-20 x .5" Lg.
62	712-0271	1	/P	Hex Sems Nut 1/4-20 Thd.



133K606F190 LT-125 (1993)
Deck And Wheel Assembly

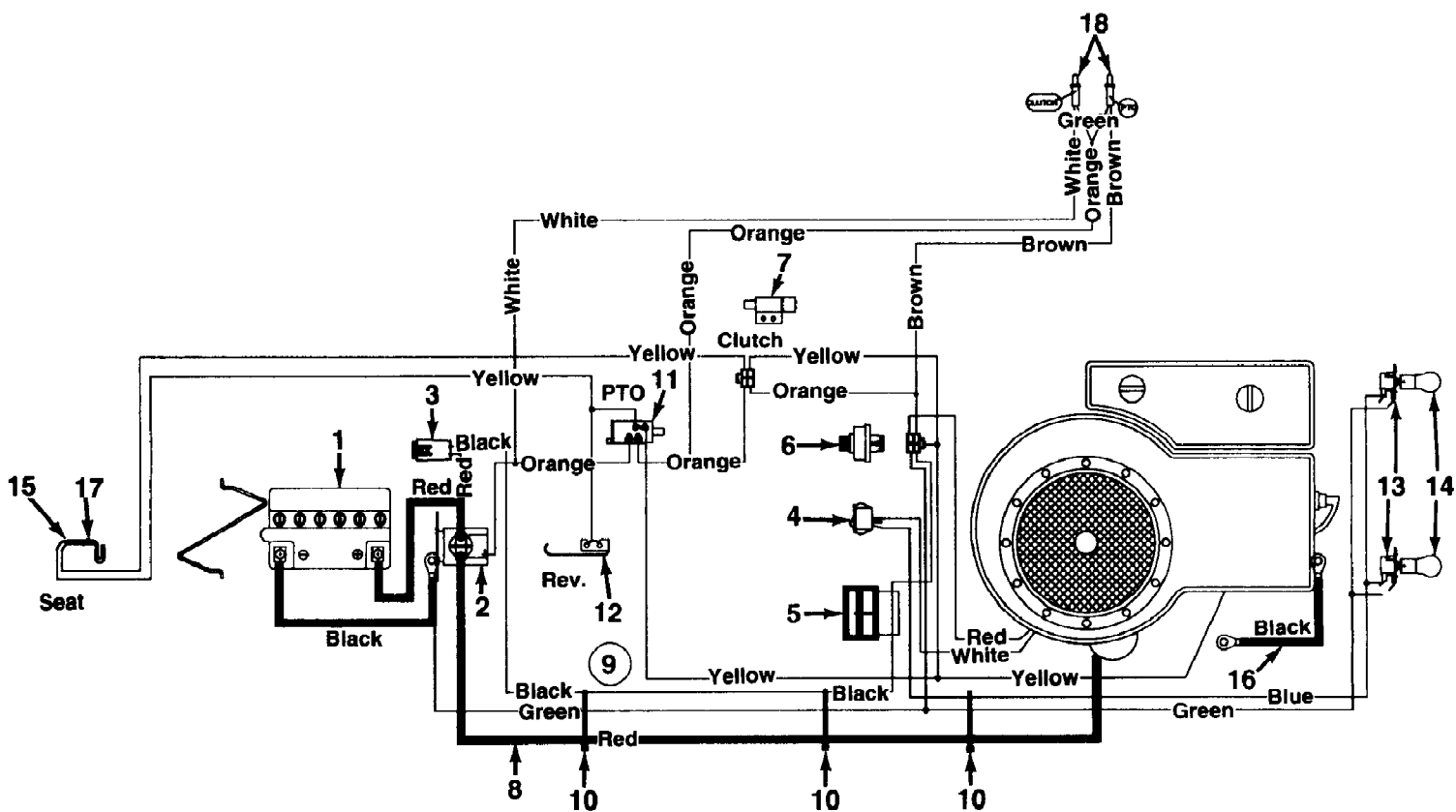
Page 9 of 23

Ref #	Part Number	Qty	S/P/F	Description
1	783-0103	1	S	Connecting Rod
2	683-0029	1	S	Pivot Link Ass'y. - L.H. (Uses "E"-Ring)
	17640	1	S	Pivot Link Ass'y. - L.H. (Uses Cotter Pin)
3	683-0028	1		Pivot Link Ass'y. - R.H. (Uses "E"-Ring)
	17641	1		Pivot Link Ass'y. - R.H. (Uses Cotter Pin)
4	17710	1	S	Deck Hanger Link Ass'y.
5	14800A	1	S	Deck Hanger Link Ass'y.
6	14804A	1		Deck Hanger Link Ass'y.
7	748-0331	1	S	Shld. Spacer .318" I.D.
8	736-0264	1	S	FI-Wash. .344" I.D. x .62" O.D.
9	736-0119	1	S/F	L-Wash. 5/16" I.D.
10	712-0267	1	S/F	Hex Nut 5/16-18 Thd.
12	714-0470	1	S	Cotter Pin 1/8" Dia.
13	736-0256	1	S	FI-Wash. .635" I.D. x 1.0" O.D.
14	683-0003	1	S	Weight Adj. Stop Lever Ass'y. (Incl. Ref. 15)
15	08540	1	/P	Knob
16	710-0604	1	S	Hex Wash. TT-Tap Scr. 5/16-18 x .75" Lg.
17	748-0176	1		Flange Brg. .63" I.D.
18	710-1238	1	/P	Hex Wash. Hd. Scr. 5/16-18 x .875" Lg.
19	710-0118	1	S	Hex Bolt 5/16-18 x .75" Lg.
20	17730	1	S	Index Brkt.
21	17622C	1	S	Upper Frame - R.H.
23	736-0267	1	S	FI-Wash. .385" I.D. x .87" O.D.
24	736-0160	1	S	FI-Wash. .531" I.D. x .93" O.D.
25	726-0272	1	/P	Clamp
26	738-0526	1		Running Board Rod
27	710-3007	1	/P	Hex Wash. Hd. Tap Scr.
28	14802A	1	S	Link Deck Lift Ass'y.
29	711-0723A	1	S	Adj. Ferrule 3/8-24 Thd.
30	17712	1	S	Adj. Deck Lift Link
31	712-3066	1	S	Hex Nut 1/2-20 Thd. (Gr. 5)
32	711-0841	1	S	Lift Link Adjuster
33	17637A	1		Lift Shaft Ass'y.
34	725-0803C	1	S	Safety Switch (Deck)
35	714-0145	1	S	Inter. Cotter Pin 3/8" Dia.
36	732-0637	1	S	Extension Spring
37	17636B	1	S	Stabilizer Bracket
38	738-0670	1	S	Shaft 1/2" Dia. x 10.28" Lg.
39	732-0638	1		Extension Spring
40	720-0233	1	S	Grip (Lift Handle)
41	17675	1	S	Deck Lift Handle Ass'y.
42	738-0669	1		Shaft 3/8" Dia. x 9.34" Lg.
43	747-0598	1		Disengagement Rod
44	17624	1	S	Stabilizer Shaft Ass'y.
45	732-0556	1	S	Extension Spring 7.58" Lg.
46	17623	1	S	Upper Frame - L.H.
47	741-0313	1	S	Flange Brg. .632" I.D.
49	716-0104	1	S	"E"-Ring
	714-0470	1	S	Cotter Pin 1/8" Dia.
50	736-0425	1	S	Bell-Wash. .325" I.D.
51	710-0627	1	/P	Hex Bolt 5/16-24 x .75" Lg.
52	736-0242	1	/P	Bell-Wash. .345" I.D. x .88" O.D.
53	734-0255			

133K606F190 LT-125 (1993)
Deck And Wheel Assembly

Page 10 of 23

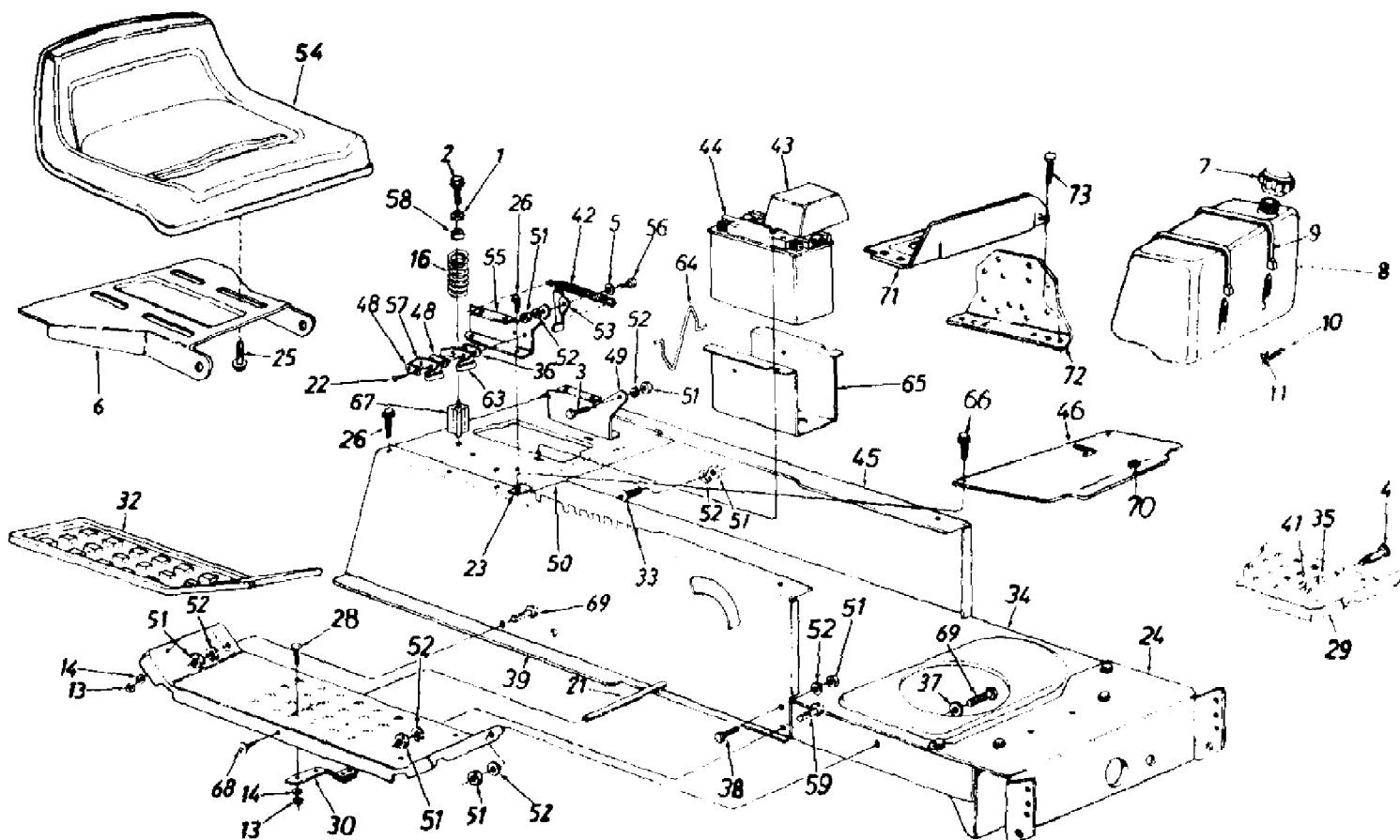
Ref #	Part Number	Qty	S/P/F	Description
54	734-0817	1	/P	Wheel Ass'y. Comp.
	734-0448	1	/P	Tire Only
55	734-0603A	1	S	Rim Only
56	734-1784	1	S	Hub Cap
57	727-0425A	1	S	Spring Clip (Used w/Ref. No. 56)



133K606F190 LT-125 (1993)
Electrical Schematic

Page 12 of 23

Ref #	Part Number	Qty	S/P/F	Description
1	725-1633	1	S	Battery
2	725-1426	1	S	Solenoid
3	725-1625	1		Fuse 7.5 Amps
4	725-0634	1	S	Light Switch
5	725-0925	1	S	Ammeter
6	725-0267	1	S	Ignition Switch
7	725-3169A	1	S	Safety Switch (Clutch)
8	725-1081	1	S	Electric Wire 30" Lg.
9	629-0069	1		Wire Harness
10	726-0197	1		Cable Tie
11	725-0803C	1	S	Safety Switch (Deck)
12	725-1643	1		Safety Switch (Reverse)
13	725-1649	1	S	Socket
14	725-0963	1	S	Bulb (Headlight)
15	725-1303	1	S	Safety Switch (Seat)
16	725-0980	1		Ground Wire 7.5" Lg.
17	725-1439	1		Safety Switch (Seat)
18	725-1365	1	S	Bulb (Monitor)



133K606F190 LT-125 (1993)
Frame, Seat And Brake Assembly

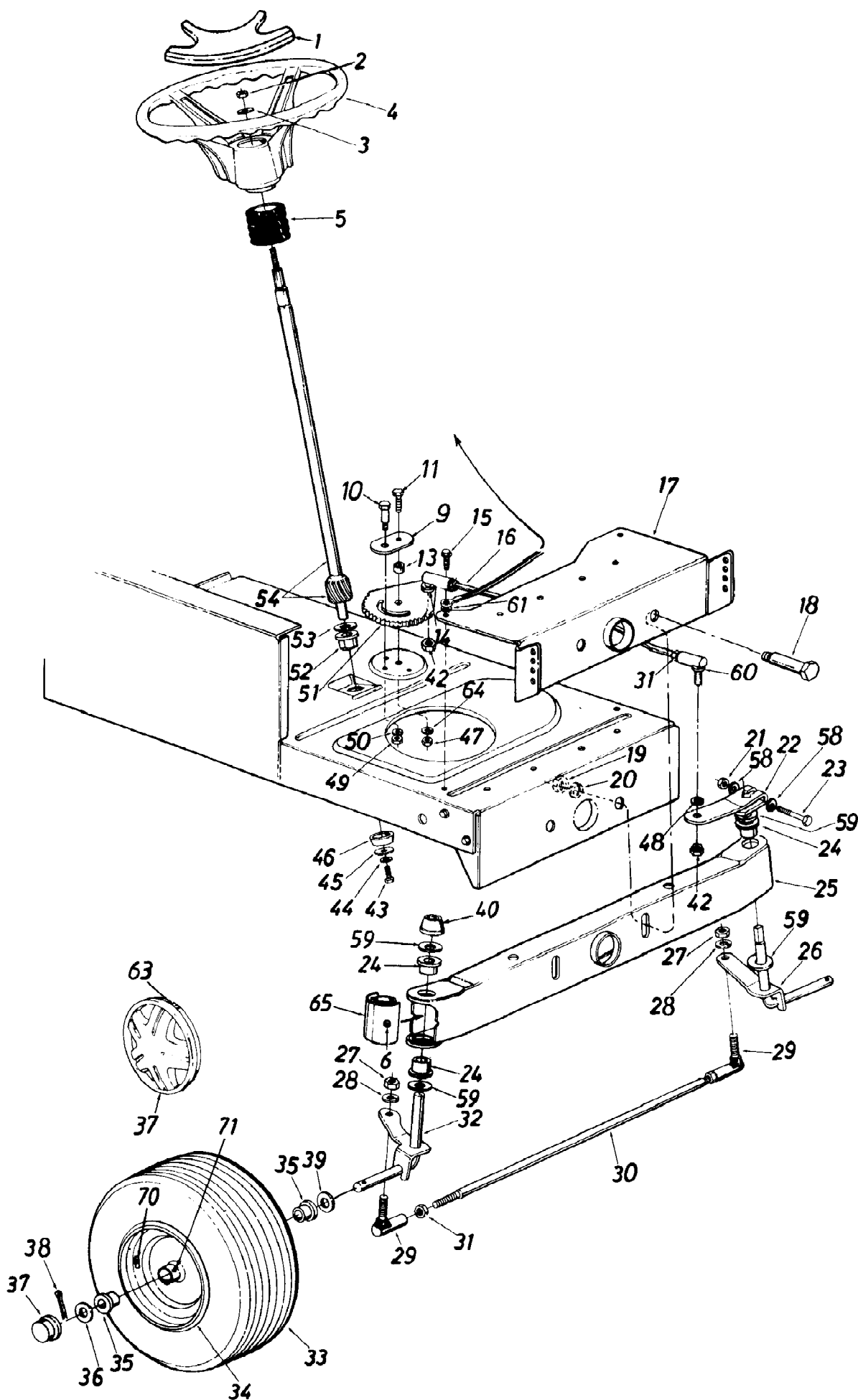
Page 14 of 23

Ref #	Part Number	Qty	S/P/F	Description
1	736-0159	1	S	FI-Wash. .344" I.D. x .875"
2	710-1208	1	/P	Hex Wash. Hd. Tap Scr. 5/16-18 x 3.25" Lg.
3	738-0155	1	S	Shld. Bolt .437" Dia. x .162"
4	738-0145	1	S	Shld. Bolt .50" Dia. x .84"
5	736-0141	1	S	Spr-Wash. .445" I.D. x .75
6	783-0039	1	S	Seat Pivot Bracket Code: N Notates a new part (not previously existing)
7	751-3071	1	S	Fuel Cap
8	751-0553	1	S	Fuel Tank
9	726-0209	1	/P	Tie Strap
10	751-0535-15	1	S	Fuel Line
11	726-0205	1	/P	Hose Clamp
13	712-0287	1	S/F	Hex Nut 1/4-20 Thd.
14	736-0329	1	S	L-Wash. 1/4" I.D.
16	732-0672	1	S	Compression Spring
21	738-0526	1		Running Board Rod
22		1		UNKNOWN
23	726-0139	1	/P	Speed Nut #10Z
24	17621	1	S	Front Pivot Brkt.
25	710-0623	1	/P	Hex Tap Scr. 3/8-16 x .75"
26	710-0726	1	/P	Hex Wash. Hd. AB-Tap Scr. 5/16 x .75" Lg.
28	710-0134	1	/P/F	Carriage Bolt 1/4-20 x .62"
29	17770	1	S	Running Board (R.H. & L.H.)
30	761-0168A	1	S	Blade Brake Ass'y.
32	731-0911	1		Rubber Foot Pad - L.H.
	731-0912	1		Rubber Foot Pad - R.H.
33	710-0323	1	/P/F	Truss Mach. Scr. 5/16-18 x .75" Lg.
34	17619B	1	S	Lower Frame Code: N Notates a new part (not previously existing)
35	736-0169	1	S/F	L-Wash. 3/8" I.D.
36	726-0278	1		Insulator Boss Plate
37	736-0264	1	S	FI-Wash. .344" I.D. x .625" O.D.
38	710-0118	1	S/F	Hex Bolt 5/16-18 x .75" Lg.
39	17622C	1	S	Upper Frame - R.H. Code: N Notates a new part (not previously existing)
41	712-0798	1	/P/F	Hex Nut 3/8-16 Thd.
42	732-0581B	1	S	Extension Spring 5.31" Lg.
43	731-1200	1		Battery Cover
44	725-1633	1	S	12-V Battery
45	17623	1	S	Upper Frame - L.H.
46	17955	1		Shift Cover Code: N Notates a new part (not previously existing)
48	726-0279	1		Insulator Plate
49	17951	1	S	Seat Pivot Brkt. Support - L.H.
50	17953	1		Hitch Plate
51	712-0267	1	S/F	Hex Nut 5/16-18 Thd.
52	736-0119	1	S/F	L-Wash. 5/16" I.D.
53	17239A	1	S	Seat Lift Brkt.
54	757-0338	1	S	Seat
55	17950	1	S	Seat Pivot Brkt. Support - R.H.
56	738-0296	1	S	Shld. Bolt .437" Dia. x .268"

133K606F190 LT-125 (1993)
Frame, Seat And Brake Assembly

Page 15 of 23

Ref #	Part Number	Qty	S/P/F	Description
57	725-1303	1	S	Spring Switch
58	722-0160	1		Bushing
59	710-0650	1	/P	Hex Wash. TT-Tap Scr. 5/16-18 x 7/8" Lg.
63	725-1439	1		Safety Switch (Seat)
64	732-0674	1		Battery Tray Clip
65	17952	1	S	Battery Tray
66	710-0351	1	/P	Truss Mach. B-Tap Scr. #10 x .5" Lg.
67	748-0347	1	S	Spring Spacer
68	710-1221	1		Pan Hd Cutting Scr. 5/16-18 x .75" Lg.
69	710-0118	1	S/F	Hex Bolt 5/16-18 x .75" Lg.
70	731-0405	1		Snap Bushing
71	17633A	1	S	Support Brkt.
72	17300D	1		Dash Support Brkt.
73	710-0603	1	/P	Hex Wash. Hd. B-Tap Scr. 5/16-18 x .5" Lg.



133K606F190 LT-125 (1993)
Front Axle And Wheel Assembly

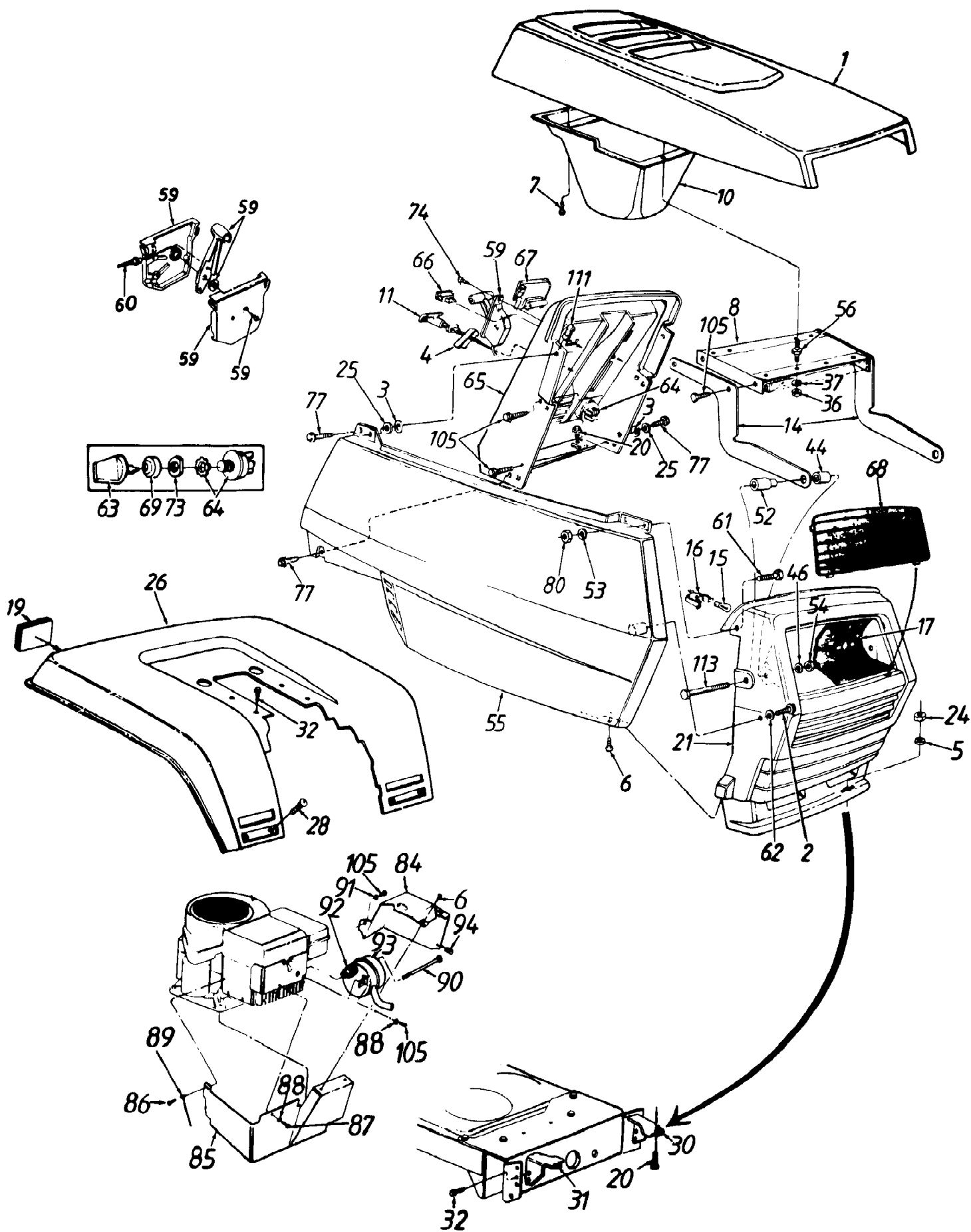
Page 17 of 23

Ref #	Part Number	Qty	S/P/F	Description
1	731-1344	1		Steering Wheel Cap
2	712-0411	1	S	Hex L-Nut 5/16-24 Thd.
3	736-0242	1	/P	Belleville Wash. .345" I.D.
4	631-0005	1	S	Steering Wheel
5	731-0954	1	S	Steering Bellow
6	737-0280	1	S	Grease Fitting
9	17198A	1	S	Retainer Plate
10	738-0141	1	S	Shoulder Bolt .437" Dia. x .35 Lg. 5/16-18 Thd.
11	710-0152	1	S	Hex Bolt 3/8-24 x 1.0" Lg. (Grade 5)
13	750-0535	1	S	Spacer .380" I.D. x .625" O.D. x .227
?14	736-0217	1	S	L-Wash. 3/8" I.D. (H.D.)
15	710-0726	1	/P	Hex Wash. Hd. Self-Tap Scr.
16	711-0788	1	S	Steering Drag Link
17	17621	1	S	Front Pivot Brkt.
18	738-0527	1	S	Shoulder Bolt .498" Dia. x 2.04 Lg. 3/8-16 Thd.
19	712-0798	1	/P/F	Hex Nut 3/8-16 Thd.
20	736-0169	1	S/F	L-Wash. 3/8" I.D.
21	712-0411	1	S	Hex L-Nut 5/16-24 Thd.
22	683-0055	1	S	Steering Arm Front Axle Code: N Notates a new part (not previously existing)
23	710-0772	1	/P	Hex Bolt 5/16-24 x 2.00" Lg. (Grade 5)
24	741-0487A	1	S	Hex Flg. Brg. .632 I.D.
25	683-0002	1	S	Pivot Bar Ass'y.
26	17585	1	/P	Front Axle Ass'y. - L.H.
27	712-0241	1	/P/F	Hex Nut 3/8-24 Thd.
28	736-0169	1	S/F	L-Wash. 3/8" I.D.
29	723-3018	1	S	Ball Joint 3/8-24 Thd.
30	747-0753	1		Tie Rod
31	712-0711	1	/P/F	Hex Jam Nut 3/8-24 Thd.
32	17584	1	/P	Front Axle Ass'y. - R.H.
33	634-0059	1		Wheel Ass'y. Comp.
	734-0864	1	/P	Tire Only
34	634-0051A	1	S	Front Wheel Rim Only
35	741-0569	1	S	Bearing
36	736-0285	1	/P	FI-Wash. .635 I.D. x 1.59" O.D.
37	734-1783	1		Hub Cap Code: N Notates a new part (not previously existing)
38	714-0470	1	S/F	Cotter Pin 1/8" Dia. x 1.25"
39	736-0187	1	/P	FI-Wash. .640" I.D. x 1.24" O.D.
40	726-0214	1	/P	Push Cap 5/8" Dia. Rod
42	712-0446	1	S	Hex Jam Nut 3/8-24 Thd.
43	710-0538	1	/P/F	Hex L-Bolt 5/16-18 x .62"
44	736-0119	1	S/F	L-Wash. 5/16" I.D.
45	736-0343	1	/P	FI-Wash. .33" I.D. x 1.25" O.D.
46	750-0532	1	S	Spacer (Plastic)
47	712-0214	1	S	Hex Cent. L-Nut 3/8-24 Thd.
48	736-0169	1	S/F	L-Wash. 3/8" I.D.
49	712-0158	1	S	Hex Cent. L-Nut 5/16-18 Thd.
50	736-0119	1		FI-Wash. .640" I.D. x 1.24" O.D.

133K606F190 LT-125 (1993)
Front Axle And Wheel Assembly

Page 18 of 23

Ref #	Part Number	Qty	S/P/F	Description
51	717-0622A	1	S	Steering Gear Segment
52	741-0225	1	S	Hex Flg. Brg. .634 I.D.
53	736-0187	1	/P	FI-Wash. (Hardened)
54	738-0743	1	/P	Steering Shaft
58	736-0271	1	S	Wave-Wash. .32" I.D. x .62" O.D.
59	736-0187	1	/P	FI-Wash. (Hardened)
60	723-3018	1	S	Drag Link Ball Joint 3/8-24 Thd.
61	736-0607	1	/P	Ext. L-Wash. 5/16" I.D.
63	727-0425A	1	S	Spring Clip
64	736-0356	1	S	Bell-Wash. .39" I.D. x 1.38" O.D.
65	731-1291	1	S	Pivot Bar End Cap
70	734-0255	1	S	Air Valve
71	737-0280	1	S	Grease Fitting



133K606F190 LT-125 (1993)
Hood And Fender Assembly

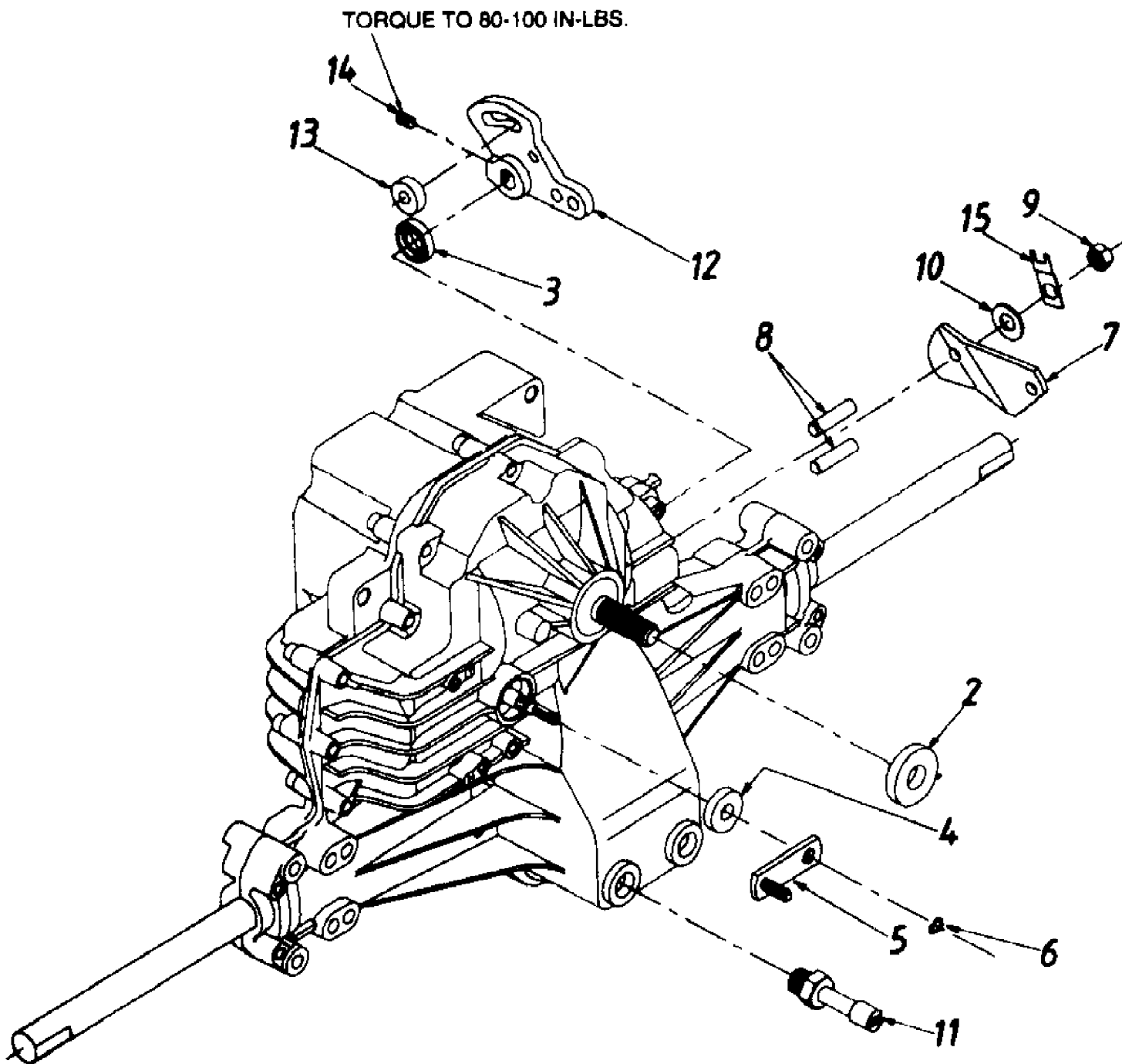
Page 20 of 23

Ref #	Part Number	Qty	S/P/F	Description
1	731-1429	1	S	Hood Code: N Notates a new part (not previously existing).
2	710-0896	1	/P	Hex Wash. B-Tap Scr. 1/4 x .62" Lg.
3	726-0233	1	/P	Bolt Retainer 1/4" I.D.
4	17782	1		Retainer Clip
5	736-0275	1	S	FI-Wash. .34" I.D. x .68"
6	710-0351	1	/P	Truss Mach. B-Tap Scr. #10 x .5" Lg.
7	710-0200	1		Hex Wash Hd. AB-Tap Scr. #8 x .5" Lg.
8	16903A	1	S	Hood Plate Code: N Notates a new part (not previously existing).
?9	736-3078	1	/P	FI-Wash. .344" I.D. x 1" O.D.
10	731-1073	1		Air Duct
11	746-3021	1		Choke Control 29" Lg.
14	16902	1		Hood Hinge
15	725-0963	1	S	Lamp
16	725-1649	1	S	Twist Lock - Lamp Socket
17	777-8516	1		Reflector - Headlight
19	730-3000	1	S	Reflector
20	710-0118	1	S/F	Hex Bolt 5/16-18 x .75" Lg.
21	731-1430	1	S	Grille Code: N Notates a new part (not previously existing).
24	712-0267	1	S/F	Hex Nut 5/16-18 Thd.
25	736-0176	1	S	FI-Wash. 1/4" I.D. x .93" O.D.
26	17324B	1		Fender
?27	710-0429	1	S	Hex B-Tap Scr. #10 x .38" Lg.
28	710-0167	1	/P	Carriage Bolt 1/4-20 x .5" Lg.
30	705-0167	1		Grille Mount Brk't. - L.H.
31	705-0166	1		Grille Mount Brk't. - R.H.
32	710-0726	1	/P	Hex Wash. Hd. AB-Tap Scr. 5/16 x .75" Lg.
36	712-0287	1	S/F	Hex Nut 1/4-20 Thd.
37	736-0270	1	/P	Bell-Wash. .265" I.D. x .75"
44	750-0755	1		Spacer .33" I.D. x .625" O.D.
46	736-0278	1		FI-Wash. .328" I.D. x .68" O.D.
52	750-0754	1		Shld. Spacer .33" I.D.
53	736-0142	1	S	FI-Wash. .281" I.D. x .5" O.D.
54	712-0158	1	S	Hex Cent. L-Nut 5/16-18 Thd.
55	731-1432	1		Side Cover - R.H. Code: N Notates a new part (not previously existing).
	731-1431	1		Side Cover - L.H. Code: N Notates a new part (not previously existing). (Not shown)
56	710-1034	1		Double Ended Stud 1/4-20 Thd.
59	831-0823A	1	/P	Throttle Control Box Ass'y.
60	746-0501	1	/P	Throttle Wire 18.5" Lg.
61	710-0258	1	S/F	Hex Bolt 1/4-20 x .62" Lg.
62	736-0173	1	/P	FI-Wash. .281" I.D. x .73" O.D.
63	725-1341B	1	/P	Ignition Key
64	725-0267	1	S	Ignition Switch
65	731-0961A	1	/P	Dash Panel
66	725-0634	1	S	Light Switch
67	725-0925	1	S	Ammeter

133K606F190 LT-125 (1993)
Hood And Fender Assembly

Page 21 of 23

Ref #	Part Number	Qty	S/P/F	Description
68	731-1038	1	S	Lens
69	725-1347	1	/P	Ignition Switch Cap
73	725-1346	1	S	Ignition Switch Nut
74	710-0779A	1	/P	Truss Mach. AB-Tap Scr. #10 x .5" Lg.
77	710-0642	1	/P	Hex Wash. Hd. Tap Scr. 1/4 x .75" Lg.
80	712-0291	1	S	Hex L-Nut 1/4-20 Thd.
84	683-0042	1	S	Muffler Heat Shield - L.H. Code: N Notates a new part (not previously existing).
85	16936	1		Muffler Heat Shield - R.H.
86	710-0323	1	/P	Pan Hd. Mach. Scr. 5/16-18 x .75" Lg.
87	710-0294	1		Hex Bolt 1/4-20 x 3/8" Lg.
88	736-0175	1	S	Spr. Wash. .265" I.D.
89	725-0980	1		Ground Wire
90	738-0636	1	S	Shld. Bolt 7/16" Dia. x 3-5/8" Lg.
91	736-0329	1	S/F	L-Wash. 1/4" I.D.
92	721-0208	1	S	Gasket
93	751-0465	1	S	Muffler
94	712-0147	1	/P	Speed Nut #10-24 Thd.
105	710-0599	1	/P	Hex Tap Scr. 1/4-20 x .5" Lg.
111	712-0185	1		Speed Nut 1/4-20 Thd.
113	710-0176	1	/P	Hex Bolt 5/16-18 x 2.75"



133K606F190 LT-125 (1993)
Transmission Assembly

Page 23 of 23

Ref #	Part Number	Qty	S/P/F	Description
?1	718-0254	1		Transmission Comp.
2	HG-9008000-0128	1	/P	Seal - Lip
3	HG-9008000-0126	1	/P	Seal - Lip
4	HG-45074	1	/P	Seal - Lip 10 X 25 X 7
5	HG-50126	1		Arm - Bypass
6	HG-44870	1		Ring - Retaining
7	HG-44094	1	/P	Arm - Actuating
8	HG-44891	2	/P	Pin - Actuating
9	HG-50108	1	S	Nut - Hex Lock 5/16-24 UNJC
10	HG-44130	1	S	Washer 7/16" x 7/8" x .060"
11	HG-50042	1		Breather Ass'y.
12	HG-45007	1	/P	Arm - Control
13	HG-50034	1		Puck - Dampener
14	HG-50018	1		Set Screw
15	HG-50129	1		Strap, Locking